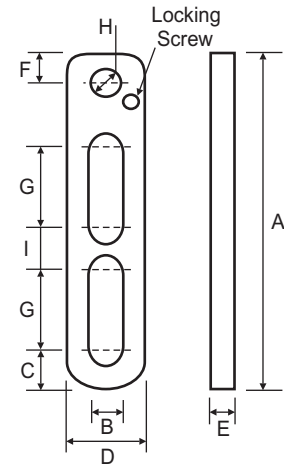




ASSO TENSIONER

The ASSO Tensioner is ideal for taking up tension on chain or belting where no shock absorption is required. A basic zinc plated steel arm, it can be used in conjunction with Sprockets and Polyethylene Slide Blocks to suit British Standard simple and duplex chain, and Rollers in both zinc plated steel and plastic.

Part No.	A	B	C	D	E	F	G	H	I
AH1.8	125.0	10.5	15.3	30.0	8.0	10.0	29.5	M8	15.5
AH1.10	125.0	10.5	15.3	30.0	8.0	10.0	29.5	M10	15.5
AH1.12	125.0	10.5	15.3	30.0	8.0	10.0	29.5	M12	15.5
AH2.10	150.0	12.5	18.3	35.0	10.0	17.0	32.5	M10	17.5
AH2.12	150.0	12.5	18.3	35.0	10.0	17.0	32.5	M12	17.5
AH2.16	150.0	12.5	18.3	35.0	10.0	17.0	32.5	M16	17.5

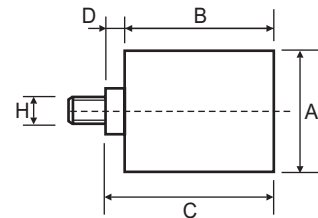


ASSO TENSIONER ACCESSORIES

ROLLERS

Part No.	A	B	C	D	H	To Suit
DPH30, DAH30	30.0	35.0	38.0	3.0	M8	AH1.8
DPH40, DAH40	40.0	45.0	51.0	6.0	M10	AH1.10
DPH60	60.0	60.0	68.0	8.0	M12	AH2.12
DAH60	60.0	60.0	68.0	8.0	M16	AH2.16

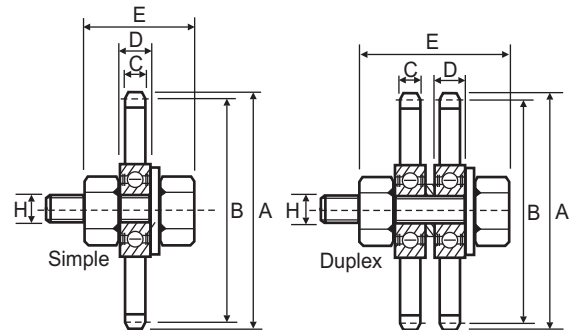
DPH - Polyamide Roller DAH - Zinc Plated Steel Roller



SPROCKETS

Part No.	Z	Chain	A	B	C	D	E	H	To Suit
<i>Simple</i>									
CH1-3/8S	15	06B-1	49.3	45.8	5.3	9.0	28.0	M10	AH1.10
CH1-1/2S	15	08B-1	65.5	61.1	7.2	9.0	28.0	M10	AH1.10
CH2-5/8S	15	10B-1	83.0	76.4	9.1	12.0	34.5	M12	AH2.12
CH2-3/4S	15	12B-1	99.8	91.6	11.1	12.0	34.5	M12	AH2.12
CH2-1S	13	16B-1	117.0	106.1	16.2	15.0	38.0	M16	AH2.16
<i>Duplex</i>									
CH1-3/8D	15	06B-2	49.3	45.8	5.3	9.0	39.0	M10	AH1.10
CH1-1/2D	15	08B-2	65.5	61.1	7.2	9.0	41.0	M10	AH1.10
CH2-5/8D	15	10B-2	83.0	76.4	9.1	12.0	51.5	M12	AH2.12
CH2-3/4D	15	12B-2	99.8	91.6	11.1	12.0	54.0	M12	AH2.12
CH2-1D	13	16B-2	117.0	106.1	16.2	15.0	70.0	M16	AH2.16

Z = No. of teeth



POLYETHYLENE SLIDE BLOCKS

Part No.	Chain	D	E	H	R	To Suit
<i>Simple</i>						
TH1-3/8S	06B-1	10.0	19.0	M10	35.0	AH1.10
TH1-1/2S	08B-1	14.0	23.0	M10	35.0	AH1.10
TH2-5/8S	10B-1	16.5	25.5	M10	45.0	AH2.10
TH2-3/4S	12B-1	17.5	26.5	M10	45.0	AH2.10
TH2-1S	16B-1	18.0	28.5	M12	55.0	AH2.12
TH2-1.1/4S	20B-1	20.0	30.5	M12	55.0	AH2.12
TH2-1.1/2S	24B-1	24.0	34.5	M12	55.0	AH2.12

Duplex also available

