



TEN BLOC TENSIONER* (with Sprocket)

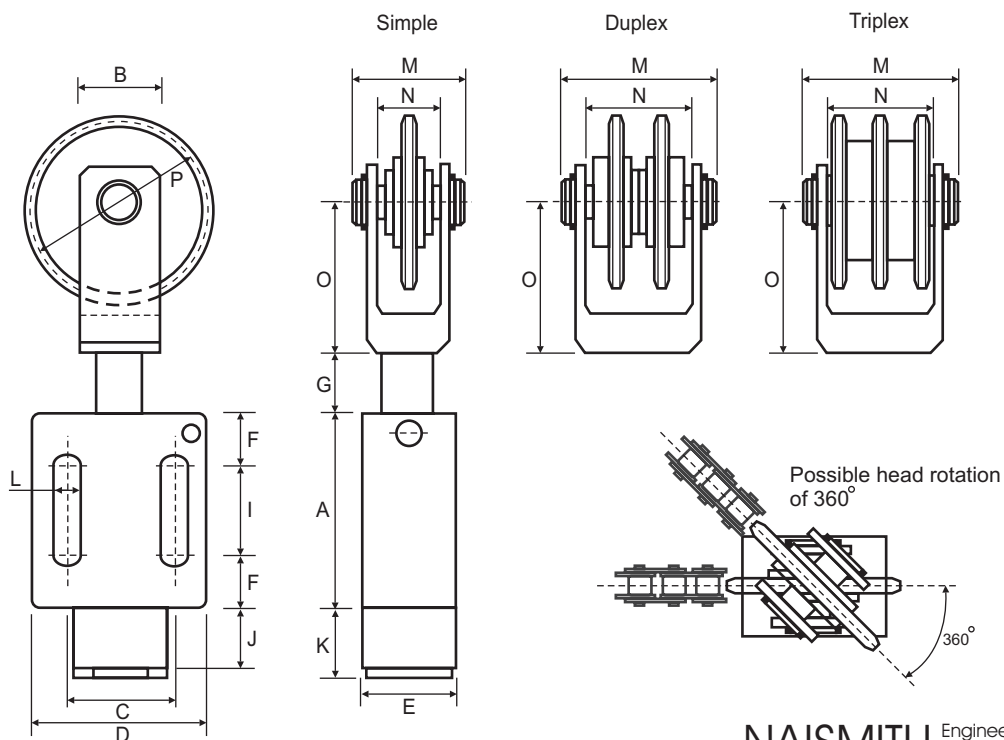
*PATENTED

The TEN BLOC Tensioners has a self aligning head that can swing through 360 degrees to align with the chain or belt. It has an aluminium body and steel nickel plated column. It is capable of higher torques than other similar type tensioners. It comes pre-assembled with your choice of British Standard simple, duplex or triplex sprockets.



Part No.	Z	Chain	A	B	C	D	E	F	G	I	J	K	L	M	N	O	P	Newton
<i>Simple</i>																		
TBRR1S	21	06B-1	65.0	30.0	40.0	60.0	35.0	17.0	27.0	31.0		3.0	9.0	40.0	19.0	60.0	63.9	60-170
TBRR2S	18	08B-1	65.0	30.0	40.0	60.0	35.0	17.0	27.0	31.0		3.0	9.0	40.0	19.0	60.0	73.1	90-250
TBRR3S	17	10B-1	65.0	30.0	40.0	60.0	35.0	17.0	27.0	31.0	25.0	28.0	9.0	45.0	19.0	70.0	86.4	100-400
TBRR4S	15	12B-1	65.0	30.0	40.0	60.0	35.0	17.0	27.0	31.0	25.0	28.0	9.0	45.0	19.0	70.0	91.6	100-400
TBRRP5S	12	16B-1	65.0	40.0	40.0	60.0	35.0	17.0	27.0	31.0	50.0	53.0	9.0	45.0	19.0	77.5	98.1	180-700
<i>Duplex</i>																		
TBRR1D	21	06B-2	65.0	30.0	40.0	60.0	35.0	17.0	27.0	31.0		3.0	9.0	60.0	37.0	60.0	63.9	60-170
TBRR2D	18	08B-2	65.0	30.0	40.0	60.0	35.0	17.0	27.0	31.0		3.0	9.0	60.0	37.0	60.0	73.1	90-250
TBRR3D	17	10B-2	65.0	30.0	40.0	60.0	35.0	17.0	27.0	31.0	25.0	28.0	9.0	65.0	37.0	70.0	86.4	100-400
TBRR4D	15	12B-2	65.0	30.0	40.0	60.0	35.0	17.0	27.0	31.0	25.0	28.0	9.0	65.0	37.0	70.0	91.6	100-400
TBRRP5D	12	16B-2	65.0	40.0	40.0	60.0	35.0	17.0	27.0	31.0	50.0	53.0	9.0	78.0	51.0	77.5	98.1	180-700
<i>Triplex</i>																		
TBRR1T	21	06B-3	65.0	30.0	40.0	60.0	35.0	17.0	27.0	31.0		3.0	9.0			60.0	63.9	60-170
TBRR2T	18	08B-3	65.0	30.0	40.0	60.0	35.0	17.0	27.0	31.0		3.0	9.0			60.0	73.1	90-250
TBRR4T	15	12B-3	65.0	30.0	40.0	60.0	35.0	17.0	27.0	31.0	25.0	28.0	9.0			70.0	91.6	100-400
TBRRP5T	12	16B-3	65.0	40.0	40.0	60.0	35.0	17.0	27.0	31.0	50.0	53.0	9.0			77.5	98.1	180-700

Z = No. of teeth





TEN BLOC TENSIONER* (with Polyethylene Slide Block)

*PATENTED

The TEN BLOC Tensioner has a self aligning head that can swing through 360 degrees to align with the chain or belt. It has an aluminium body and steel nickel plated column. It is capable of higher torques than other similar type tensioners. It comes pre-assembled with your choice of polyethylene slide blocks to suit British Standard simple, duplex or triplex chain.



Part No.	Chain	A	B	C	D	E	F	G	I	J	K	L	M	N	O	R	Newton
<i>Simple</i>																	
TBV0S	05B-1	65.0	18.0	40.0	60.0	35.0	17.0	27.0	31.0		3.0	9.0	18.0	2.5	33.0	35.0	30-100
TBV1S	06B-1	65.0	18.0	40.0	60.0	35.0	17.0	27.0	31.0		3.0	9.0	18.0	5.0	33.0	35.0	60-170
TBV2S	08B-1	65.0	18.0	40.0	60.0	35.0	17.0	27.0	31.0		3.0	9.0	18.0	7.0	33.0	35.0	90-250
TBV3S	10B-1	65.0	18.0	40.0	60.0	35.0	17.0	27.0	31.0	25.0	28.0	9.0	18.0	9.0	43.0	45.0	100-400
TBV4S	12B-1	65.0	18.0	40.0	60.0	35.0	17.0	27.0	31.0	25.0	28.0	9.0	18.0	11.0	43.0	45.0	100-400
TBVP5S	16B-1	65.0	18.0	40.0	60.0	35.0	17.0	27.0	31.0	50.0	53.0	9.0	20.0	16.0	53.0	55.0	180-700
TBVP6S	20B-1	65.0	18.0	40.0	60.0	35.0	17.0	27.0	31.0	50.0	53.0	9.0	22.0	18.0	53.0	55.0	180-700
TBVP7S	24B-1	65.0	18.0	40.0	60.0	35.0	17.0	27.0	31.0	50.0	53.0	9.0	24.0	24.0	53.0	55.0	180-700
<i>Duplex</i>																	
TBV1D	06B-1	65.0	18.0	40.0	60.0	35.0	17.0	27.0	31.0		3.0	9.0	18.0	5.0	33.0	35.0	60-170
TBV2D	08B-1	65.0	18.0	40.0	60.0	35.0	17.0	27.0	31.0		3.0	9.0	21.0	7.0	33.0	35.0	90-250
TBV3D	10B-1	65.0	18.0	40.0	60.0	35.0	17.0	27.0	31.0	25.0	28.0	9.0	25.0	9.0	43.0	45.0	100-400
TBV4D	12B-1	65.0	18.0	40.0	60.0	35.0	17.0	27.0	31.0	25.0	28.0	9.0	30.0	11.0	43.0	45.0	100-400
TBVP5D	16B-1	65.0	18.0	40.0	60.0	35.0	17.0	27.0	31.0	50.0	53.0	9.0	47.0	16.0	53.0	55.0	180-700
<i>Triplex</i>																	
TBV1T	06B-1	65.0	18.0	40.0	60.0	35.0	17.0	27.0	31.0		3.0	9.0	25.0	5.0	33.0	35.0	60-170
TBV2T	08B-1	65.0	18.0	40.0	60.0	35.0	17.0	27.0	31.0		3.0	9.0	34.0	7.0	33.0	35.0	90-250
TBV4T	12B-1	65.0	18.0	40.0	60.0	35.0	17.0	27.0	31.0	25.0	28.0	9.0	49.0	11.0	43.0	45.0	100-400
TBVP5T	16B-1	65.0	18.0	40.0	60.0	35.0	17.0	27.0	31.0	50.0	53.0	9.0	79.0	16.0	53.0	55.0	180-700

